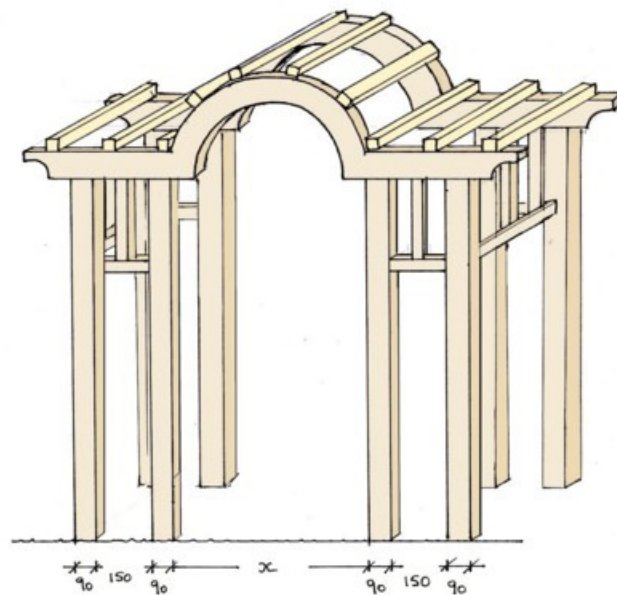


# How To Build an Arbor

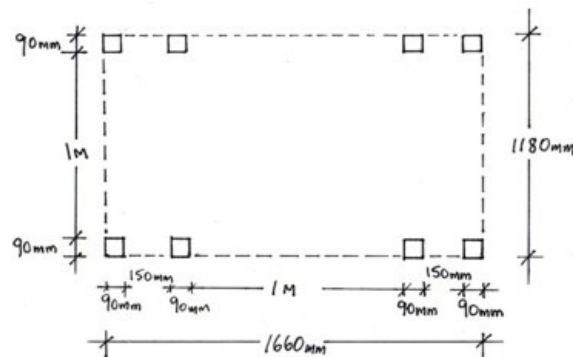


**Construction and design.**

# Construction and Design of An Arched Timber Entrance Arbor

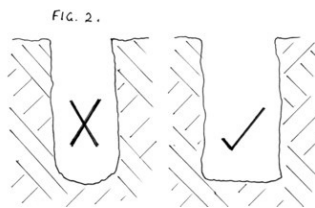
First impressions count! – your fencing and gates are the most important factor in the presentation of your property. Fencing and gates can change the look and appeal of your property at the same time as providing security and privacy.

A well constructed fence will last many years if constructed from the right materials, using the right methods. Below is a step by step guide to construction.



## Step 1.

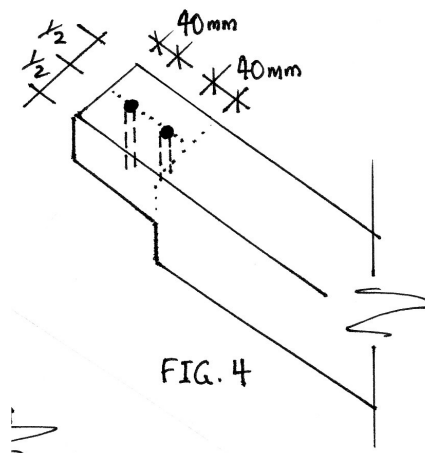
Removal any structures and planting in the area of the proposed arbor. Adjust the measurements in the set out figure above to suit your requirements. Excavate the footings for the posts to 450mm deep and 300mm wide.



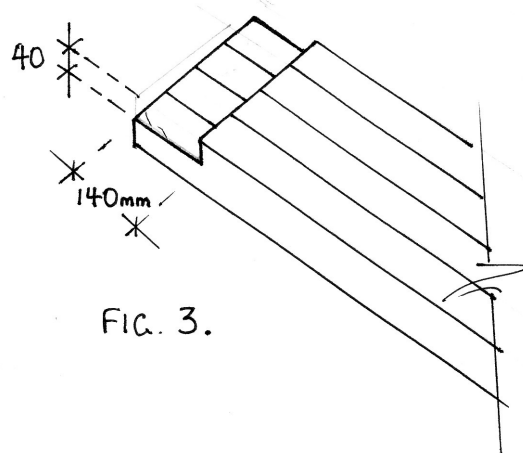
Dig your footings so they are square and not rounded as shown in the diagram above.

## Step 2.

Cut four posts allowing 450mm for the portion to be concreted in ground. Measure and mark the length of the posts adding the width of the top beam as shown below. Cut the rebate in the top of the posts using a handsaw and sharp chisel.

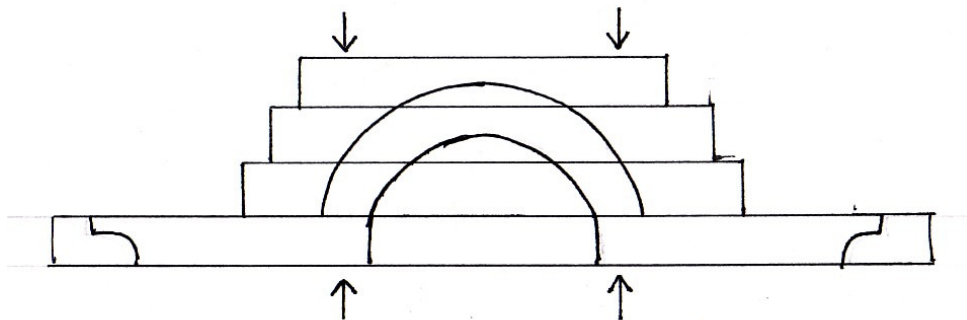


The four posts can be accurately marked by clamping them side by side and marking and cutting them together.



Step 2.

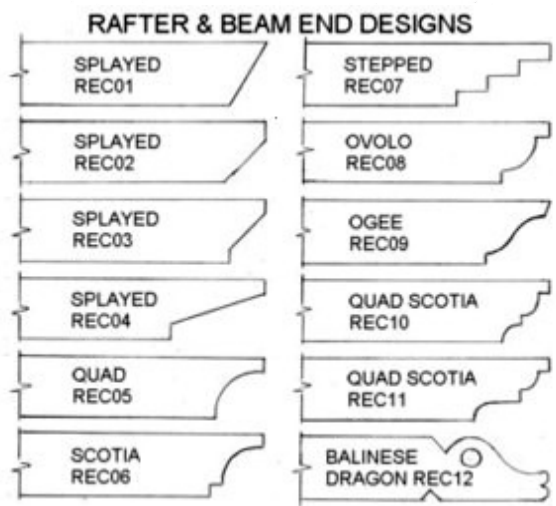
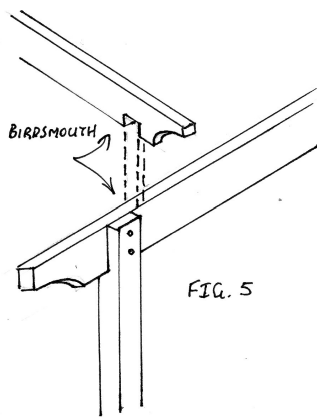
Make the curved sections by dowelling and gluing additional timber to the beams to allow for the desired curve. Allow to dry for 24 hours then mark the curve required and cut with a jigsaw.



Step 3.

Stand the posts in the holes and join the beams to the posts with 120mm x 10mm cuphead bolts. Using a level, prop and brace the structure before pouring the concrete.

Position the rafters on the beam and fix with galvanised nails. The rafters should have a birdsmouth cut in to help brace and strengthen the structure. (see fig below)



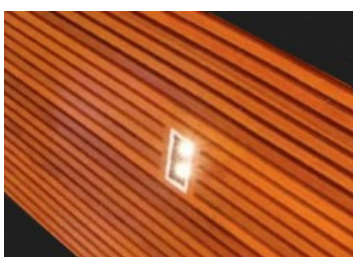
Step 4.

Battens can be fixed to the tops of the curved beams to allow for shading, or hooks can be placed in the beams for the hanging of plants.

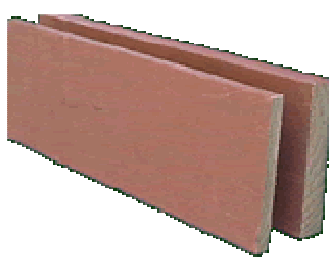
Step 6.

Treated pine structures can be left in the raw or ordered in pre-primed timber for painting.

The most common timbers used are Western Red Cedar, Pre-primed treated pine or merbou.



Western Red Cedar



Treated & Primed Pine



Merbou

When choosing the timber it should be noted that pre-primed treated pine needs only a top paint coat and will last up to 40 years. Western Red Cedar and Merbau that are stained and lacquered will need yearly maintenance to keep up the good looks.

Good luck and happy building!