



# ALL DAY FENCING

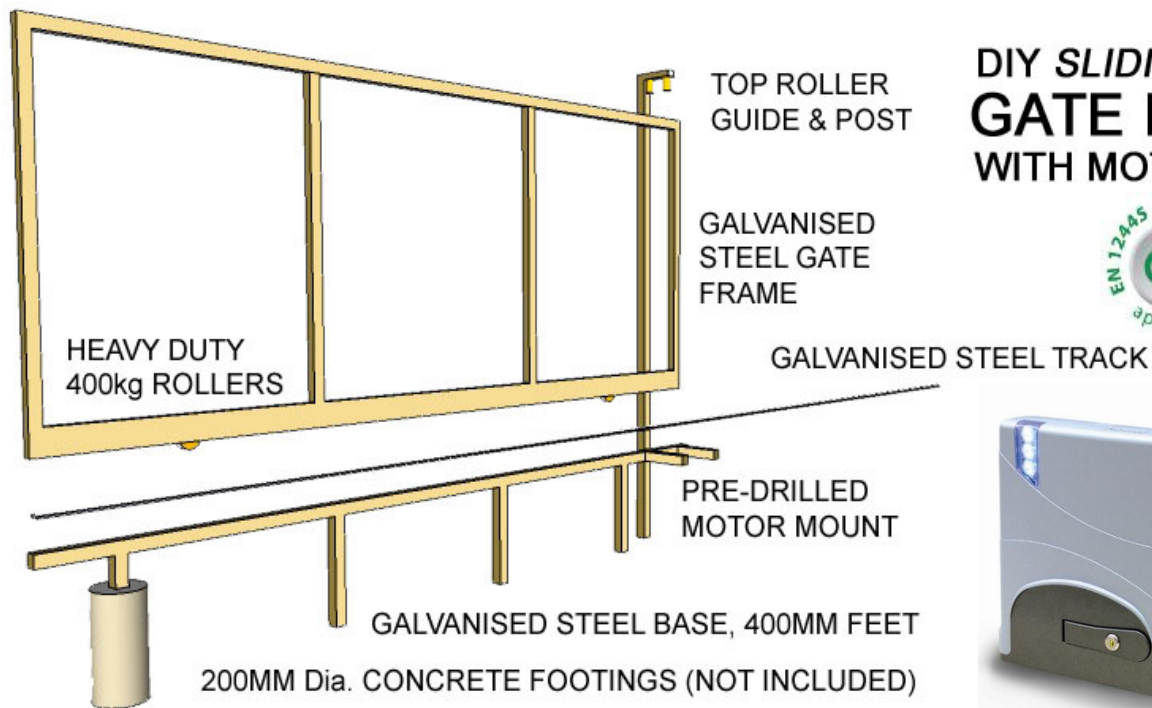


## DIY SLIDING GATE KIT

SUITABLE FOR HORIZONTAL OR VERTICAL LININGS

CONSTRUCTION: GALVANISED STEEL

MOTOR: REMOTE CONTROLLED FADINI JUNIOR 633



## DIY SLIDING GATE KIT WITH MOTOR



### Inclusions:

MOTOR	Fadini Junior 633 Sliding gate motor - suitable for gates up to 400kg's
REMOTES	2 x Fadini Astro 2 button remote controls, Key override switch
RACK	4 X 1m lengths of PVC coated steel motor rack, screws and all fixings
FRAME	50mm x 50mm x 1.6mm galvanized gate frame for horizontal or vertical linings
BASE	50mm x 50mm x 2.0mm galvanized steel base frame with 4 x 400mm feet
ROLLERS	2 x heavy duty galvanized steel gate rollers, 1 x 50mm post with top guide rollers

EMAIL INFORMATION [sales@alldayfencing.com.au](mailto:sales@alldayfencing.com.au), for a FREE quotation.  
 Specifications and installation guide: [www.alldayfencing.com.au/adfgates.php](http://www.alldayfencing.com.au/adfgates.php)



*Fencers, Home Builders, Tradesmen... Order factory direct and save 25%!*

